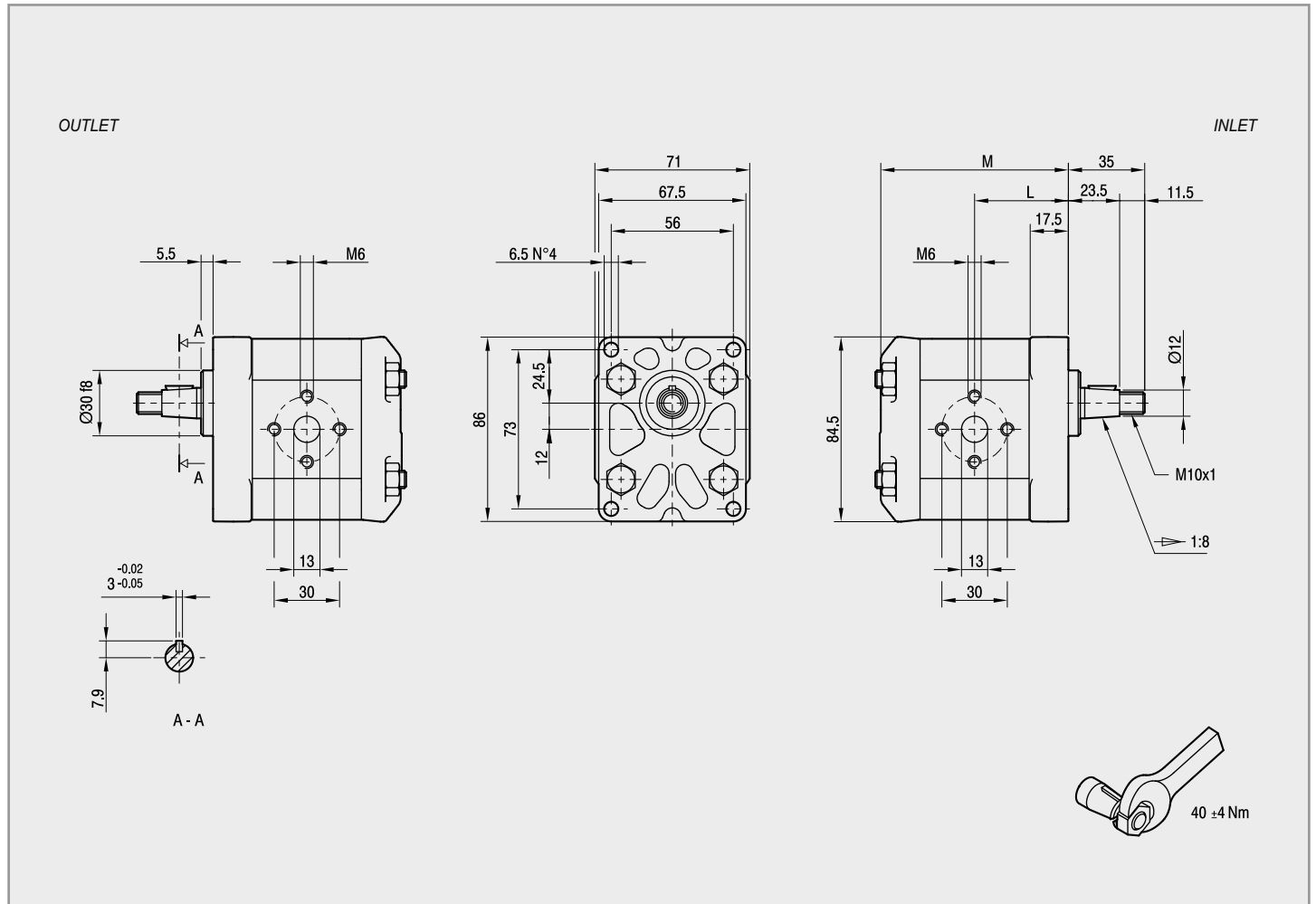




Accessories supplied with the standard pump: woodruff key (code 522054), M10x1 hexagonal nut (code 523015), washer (code 523004).
Standard ports: M6 threads depth 13 mm.



Type	Displacement cm ³ /rev	Flow at 1500 rev/min litres/min	Maximum Pressure			Maximum Speed rpm	Dimensions	
			P ₁ bar	P ₂ bar	P ₃ bar		L mm	M mm
ALP1-D-2	1.4	2.0	250	270	290	6000	40	80.5
ALP1-D-3	2.1	2.9	250	270	290	6000	41	82.5
ALP1-D-4	2.8	3.9	250	270	290	5000	42	84.5
ALP1-D-5	3.5	4.9	250	270	290	5000	43	86.5
ALP1-D-6	4.1	5.9	250	270	290	4000	44	88.5
ALP1-D-7	5.2	7.4	230	245	260	4000	45.5	91.5
ALP1-D-9	6.2	8.8	230	245	260	3800	47	94.5
ALP1-D-11	7.6	10.8	200	215	230	3200	49	98.5
ALP1-D-13	9.3	13.3	180	195	210	2600	51.5	103.5
ALP1-D-16	11.0	15.7	170	185	200	2200	54	108.5
ALP1-D-20	13.8	19.7	150	165	180	1800	58	116.5