

*Air Heat Exchangers*



## 40 Series Heat Exchangers

**H97 < B=75 @85 H5**



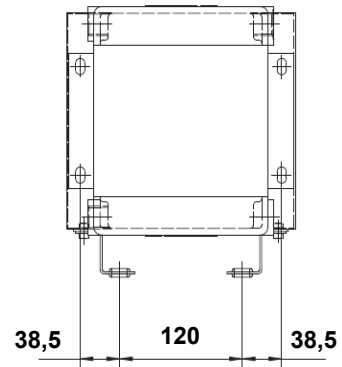
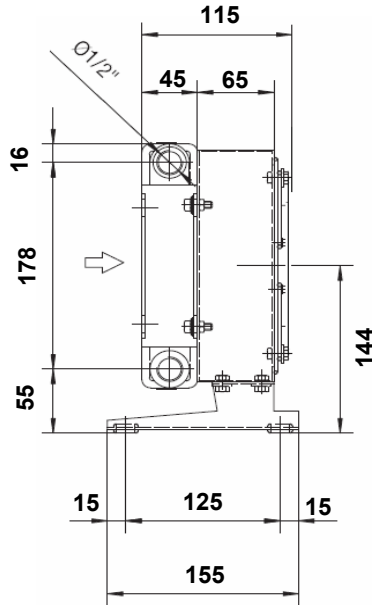
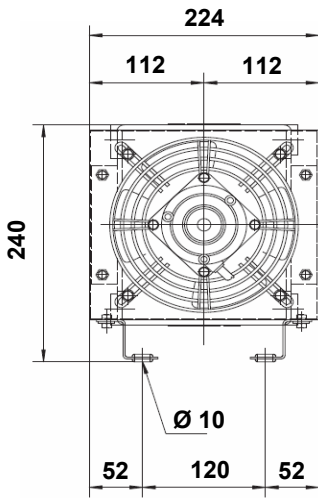
MAXTOR AIR HEAT EXCHANGER	at $\Delta t=20\text{ }^{\circ}\text{C}$	at $\Delta t=30\text{ }^{\circ}\text{C}$	max. oil	max. Pressure	oil connection size
	cooling kcal/h	kcal/h	flow lt/min	bar	
ACR-20 2700d/d 220V AC 0.09A Monofaze	700	1.100	35	10	1/2" BSP
4010 M 24VDC	937	1.387	40	24	1/2" BSP
4010 M 220VAC	937	1.387	40	24	1/2" BSP
4015 M 24VDC	2.325	4.050	80	24	1" BSP
4015 M 220VAC	2.325	4.050	80	24	1" BSP
4020 M 24VDC	3.000	4.500	100	24	1" BSP
4020 M 220VAC	3.000	4.500	100	24	1" BSP
4024 M 24VDC	5.650	8.450	120	24	1" BSP
4024 M 220VAC	5.650	8.450	120	24	1" BSP
4030 M 24VDC	7.875	12.000	140	24	1" BSP
4030 M 220VAC	7.875	12.000	140	24	1" BSP
4040 M 24VDC	10.000	15.000	160	24	1 1/4" BSP
4040 M 220VAC	10.000	15.000	160	24	1 1/4" BSP
4050 M 220VAC	13.500	20.000	180	24	1 1/4" BSP
4030 2MS DOUBLE FAN 24VDC / 220VAC	15.500	23.460	260	24	1 1/4" BSP
4040 2MS DOUBLE FAN 24VDC / 220VAC	19.375	29.375	320	24	1 1/2" BSP

- Working pressure max 26 bar
- Tested pressure 36 bar
- Max. working heat 120C
- Italian IMIT TC2 adjustable thermostat is standard

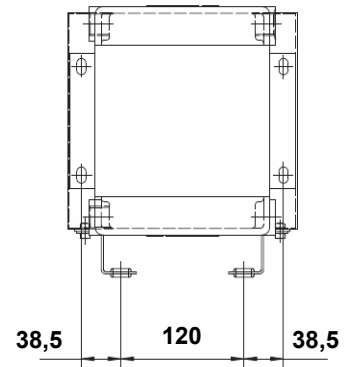
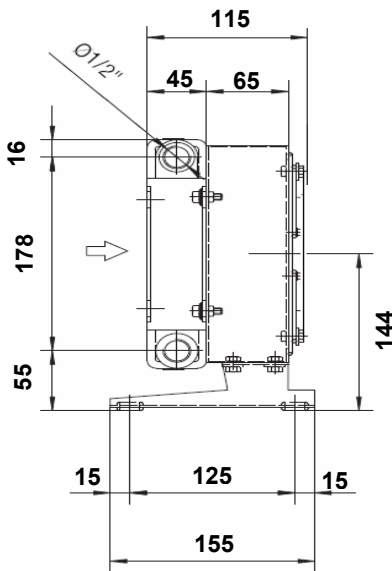
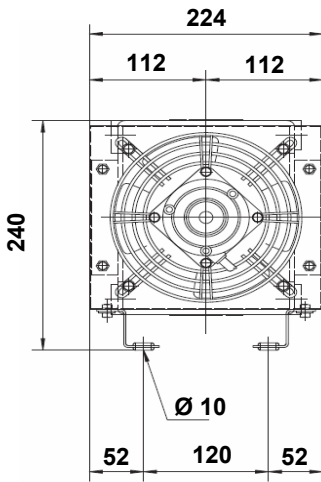




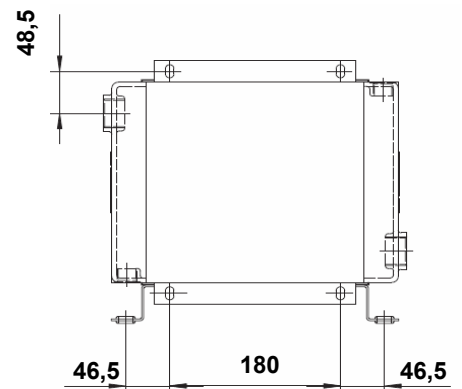
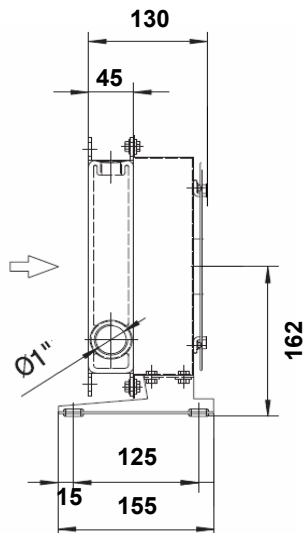
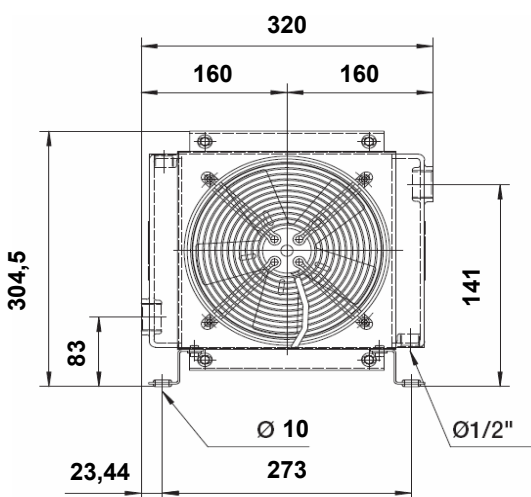
**4010 24 V**



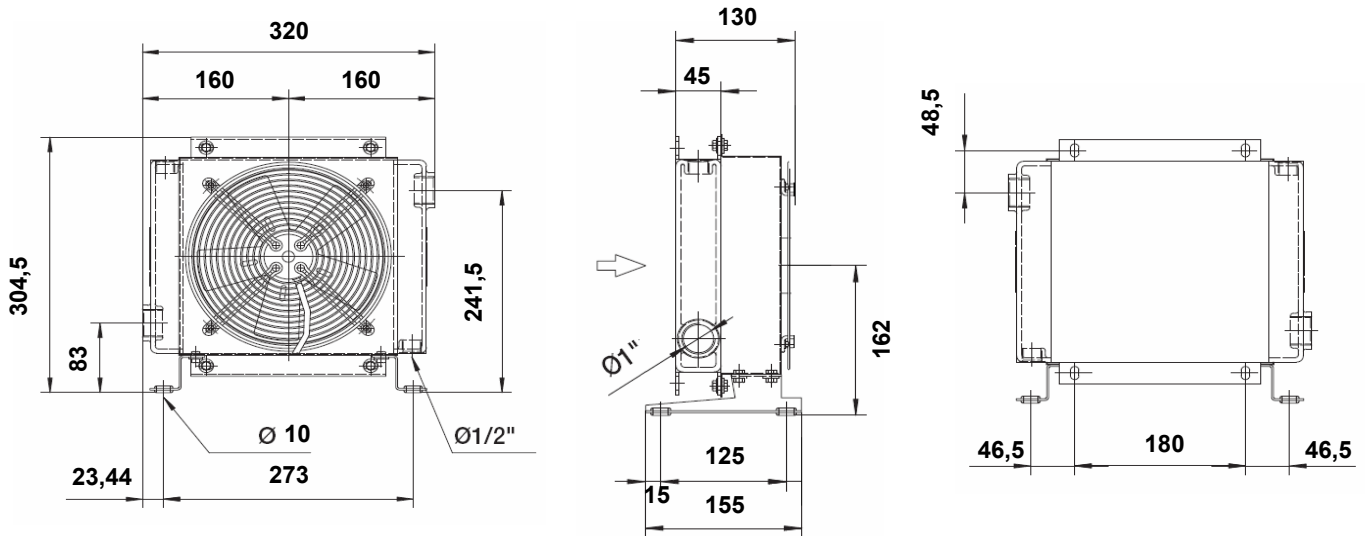
**4010 220 V**



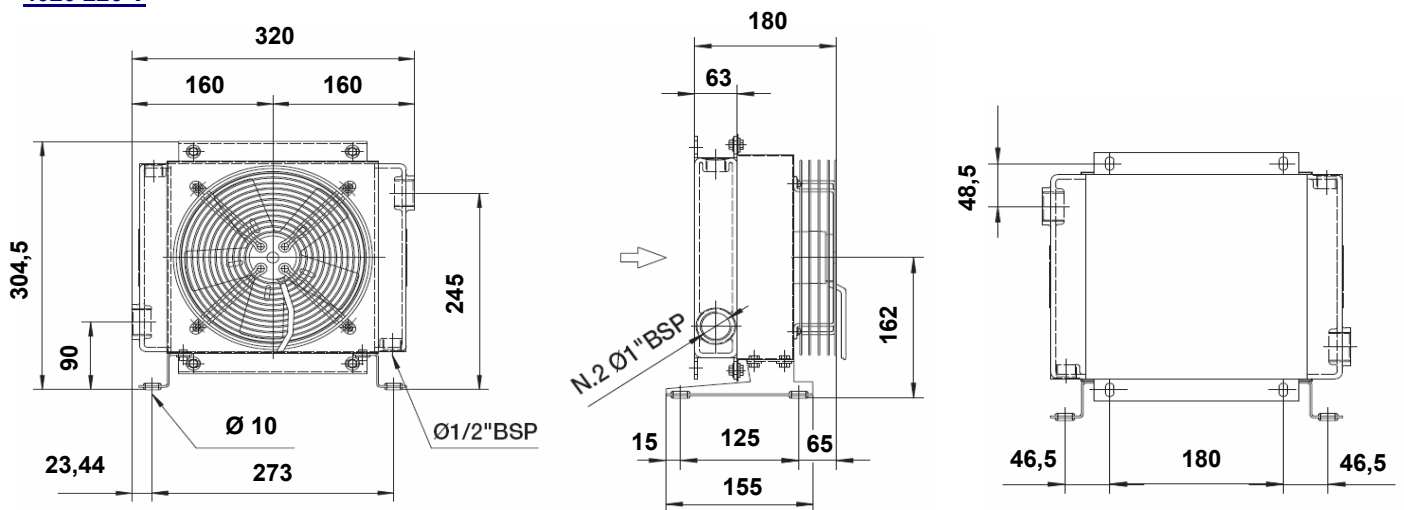
**4015 24 V**



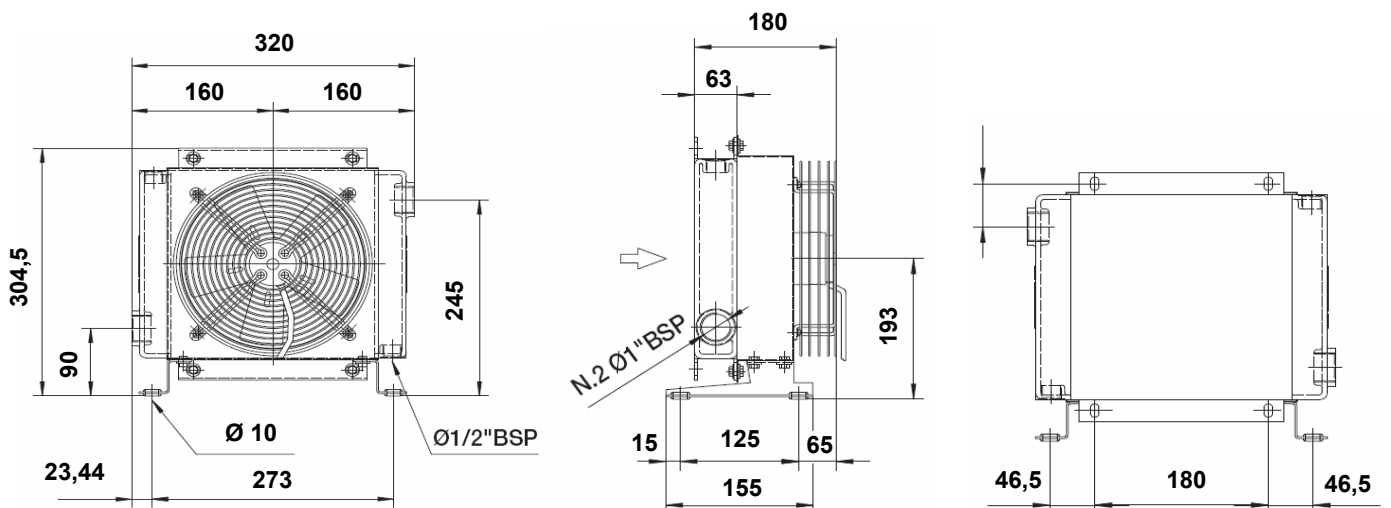
**4015 220 V**



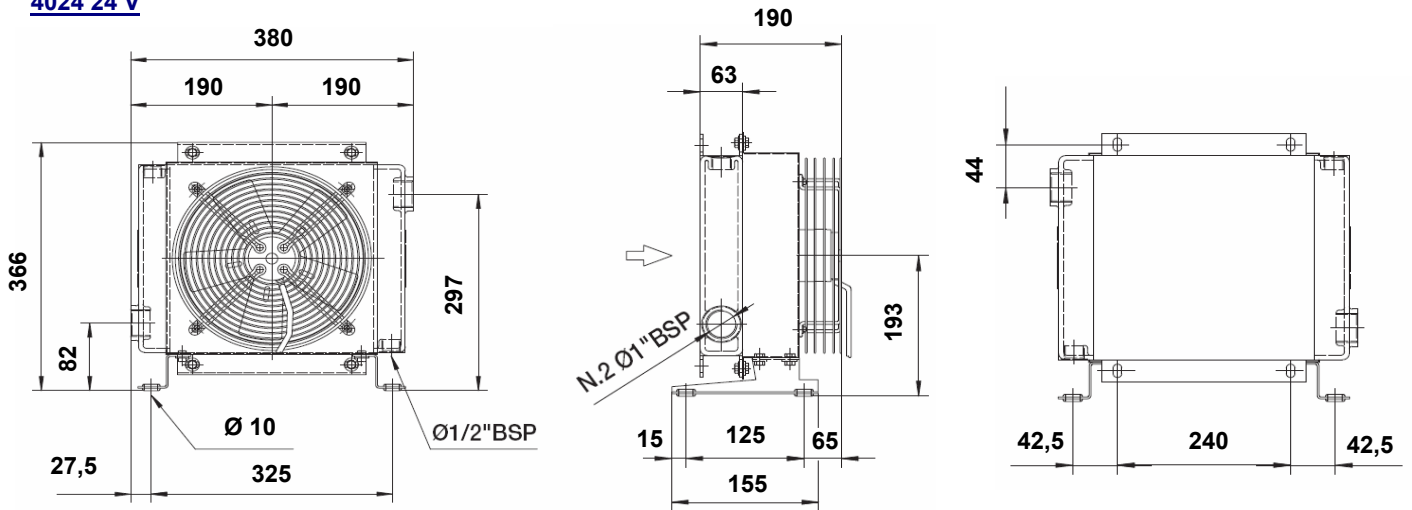
**4020 220 V**



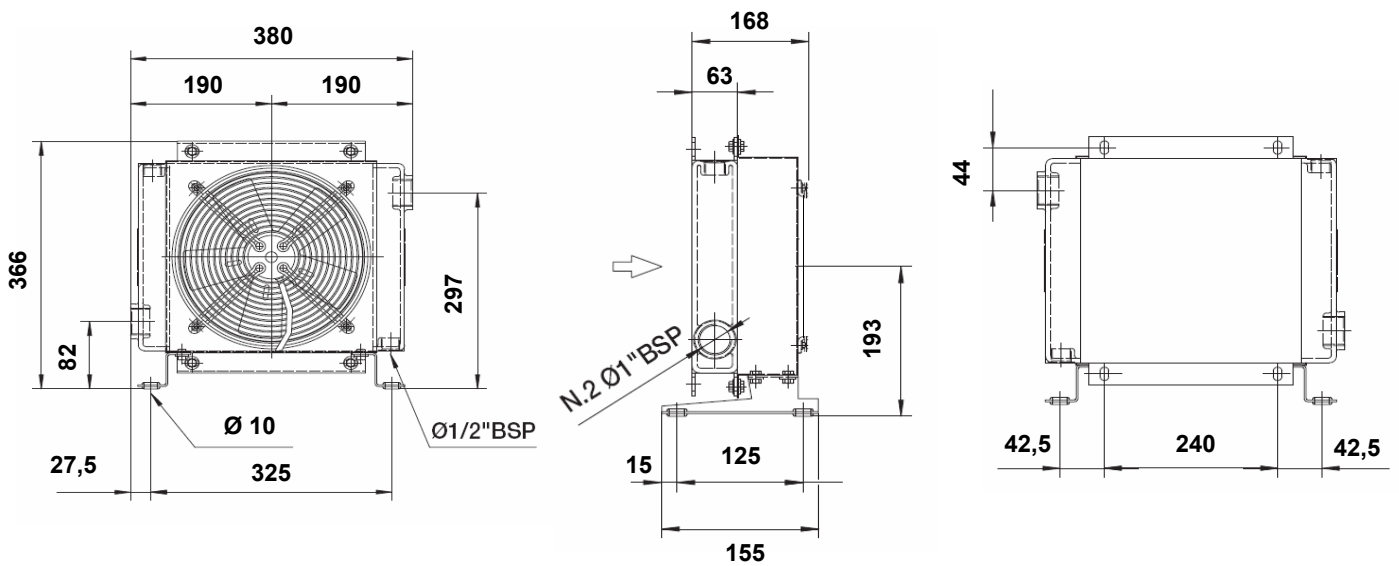
**4020 24 V**



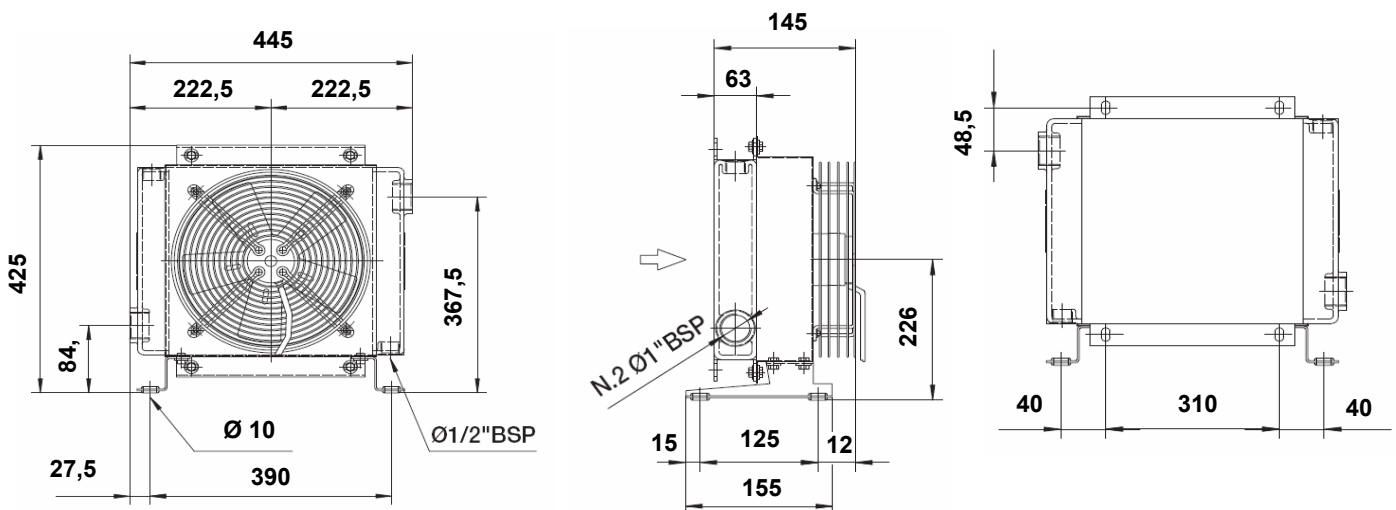
**4024 24 V**



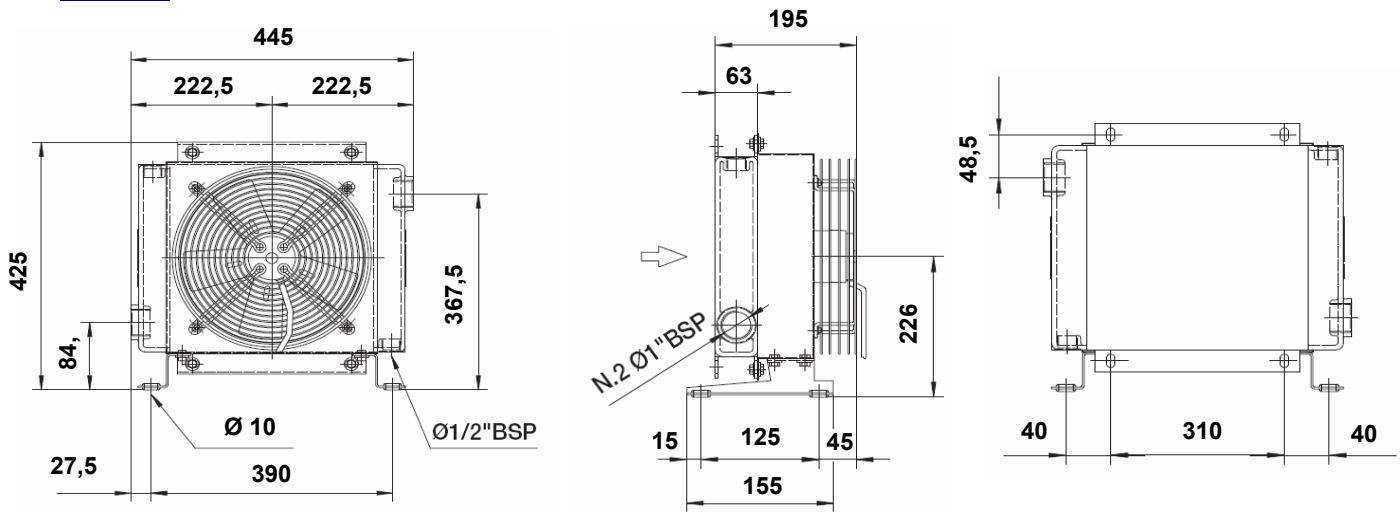
**4024 220 V**



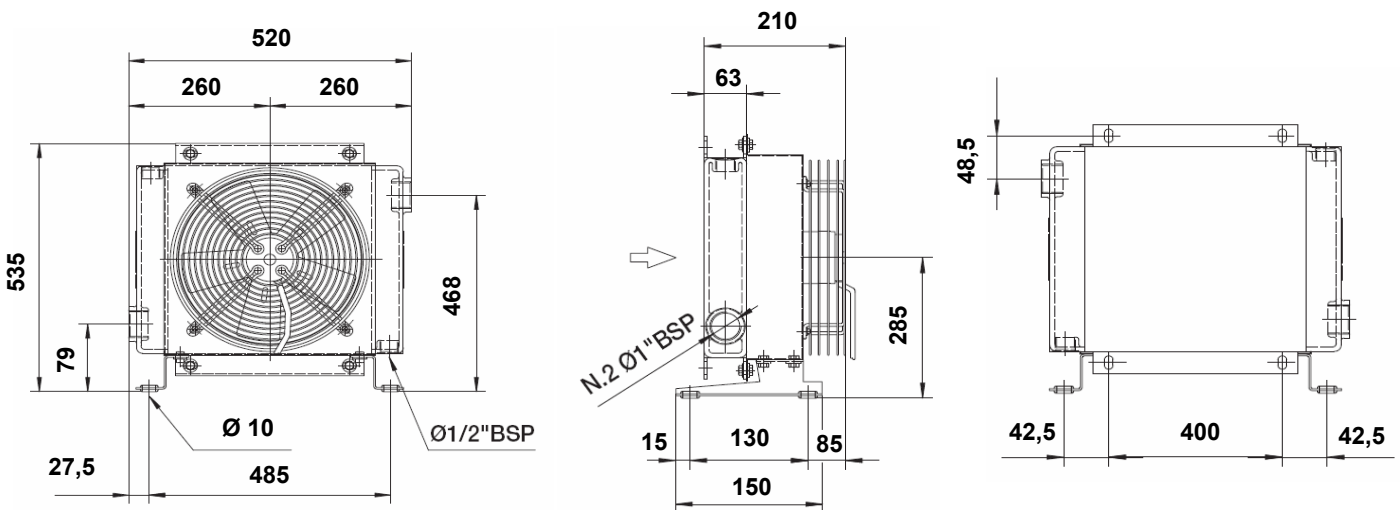
**4030 220 V**



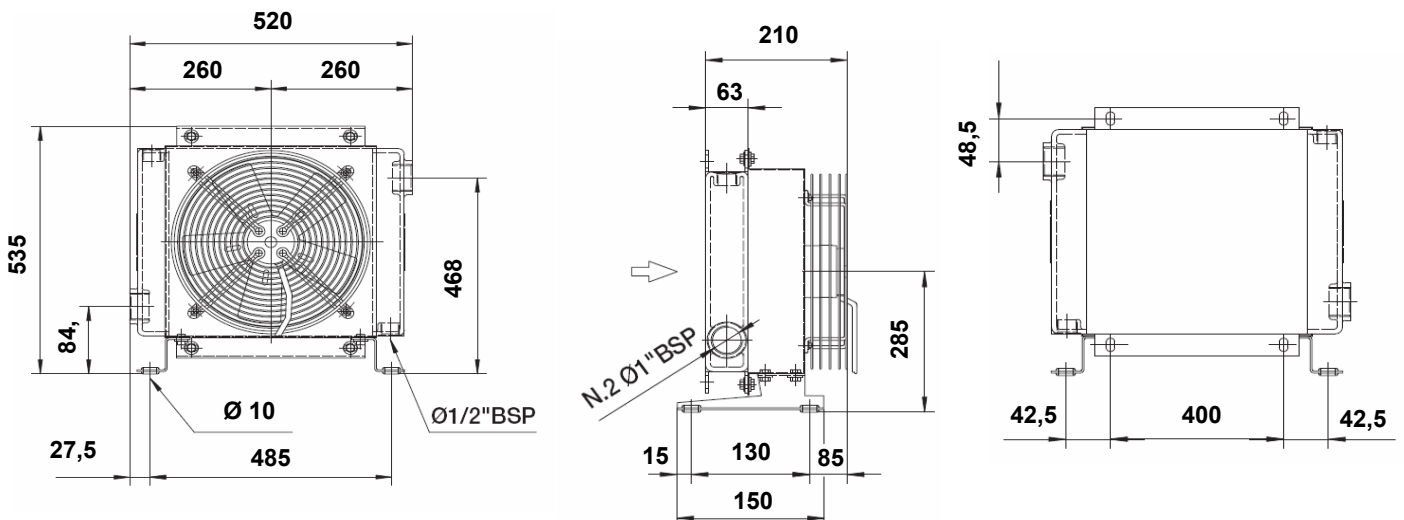
4030 24 V



4040 24 V

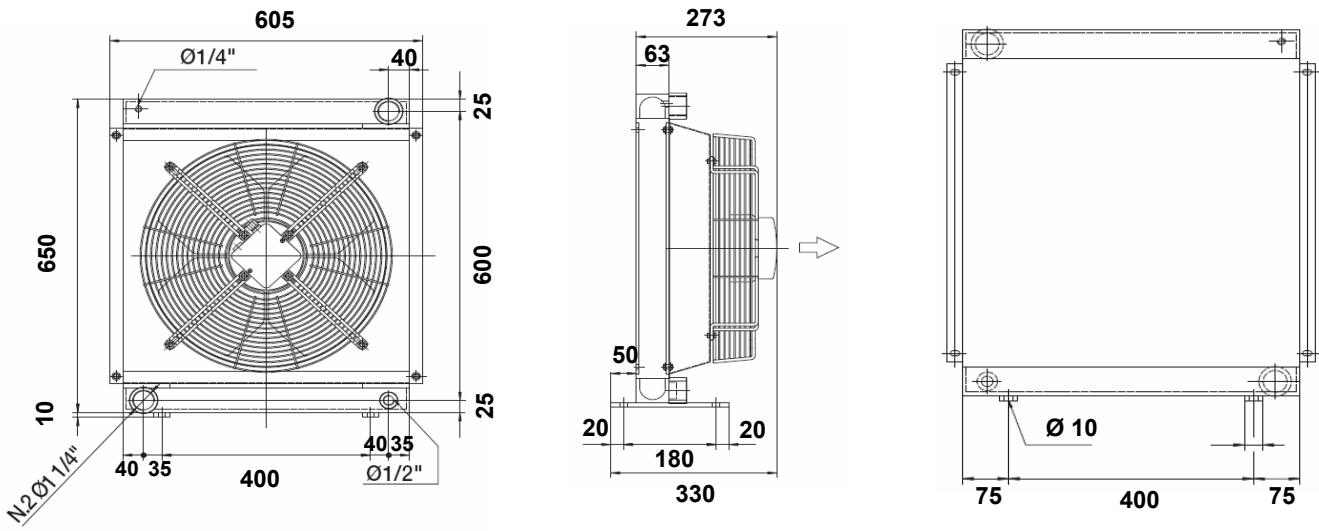


4040 220 V

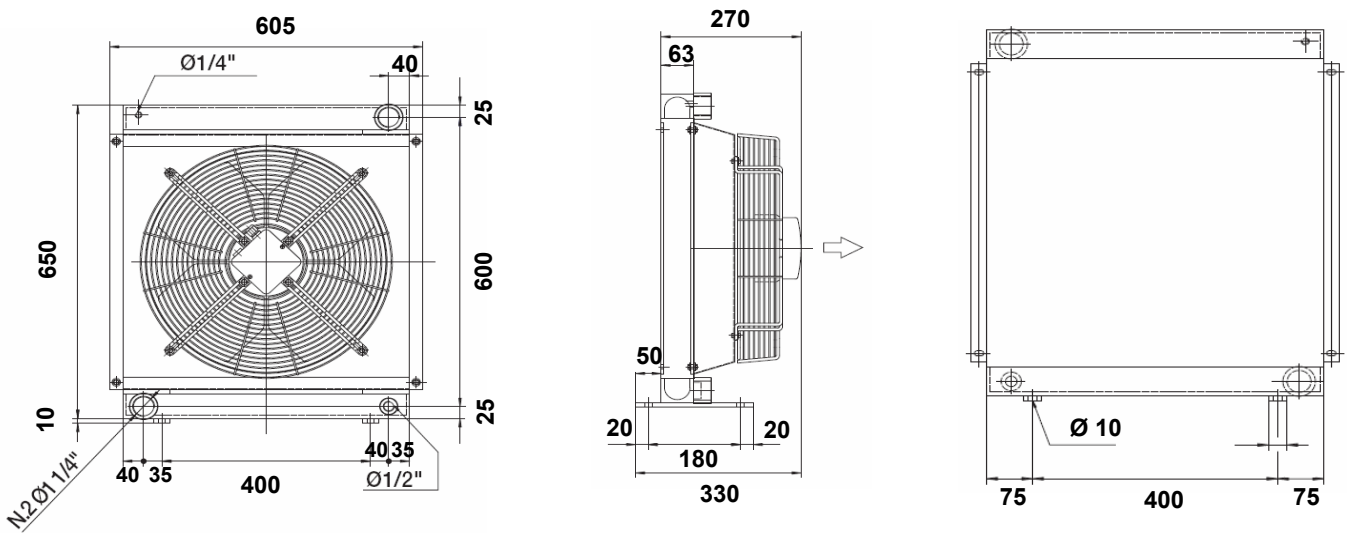




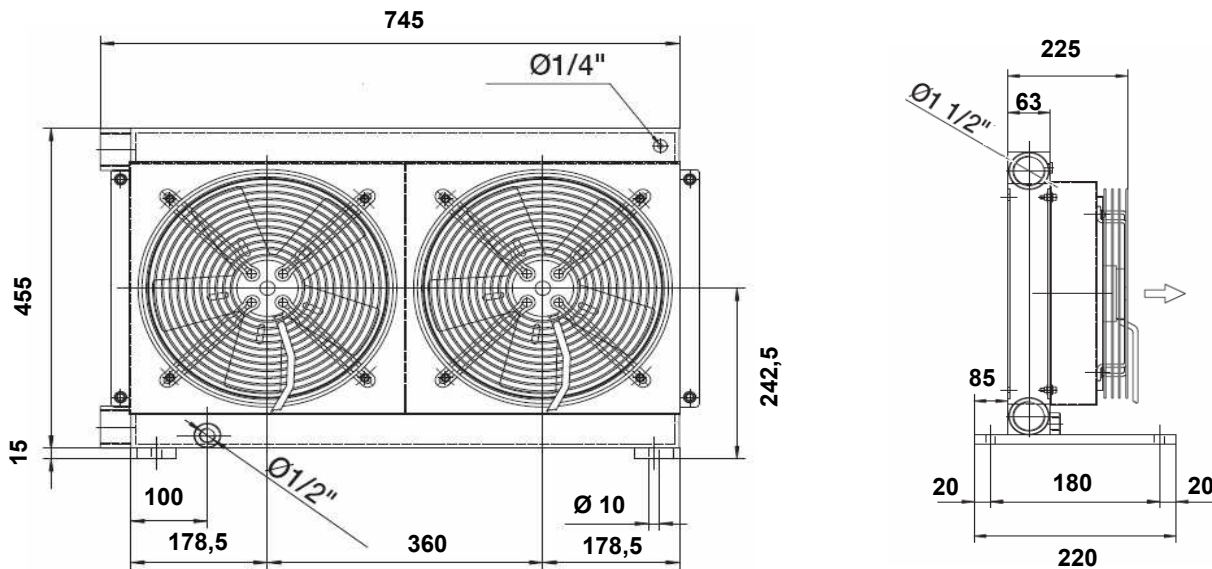
**4050 220 V**

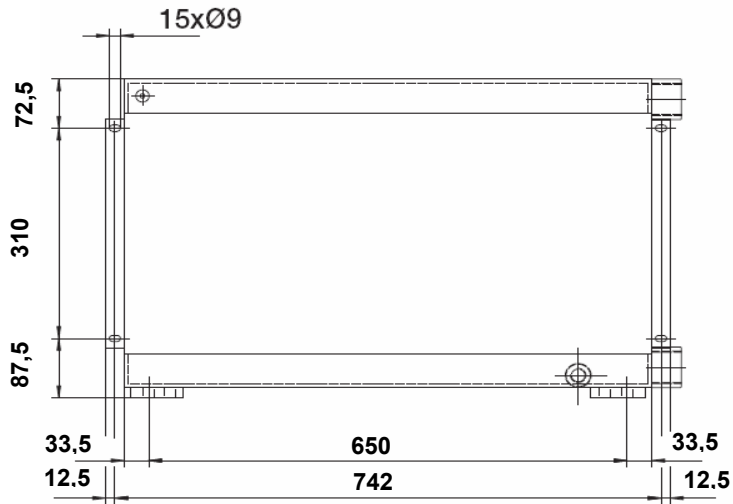


**4050 24 V**

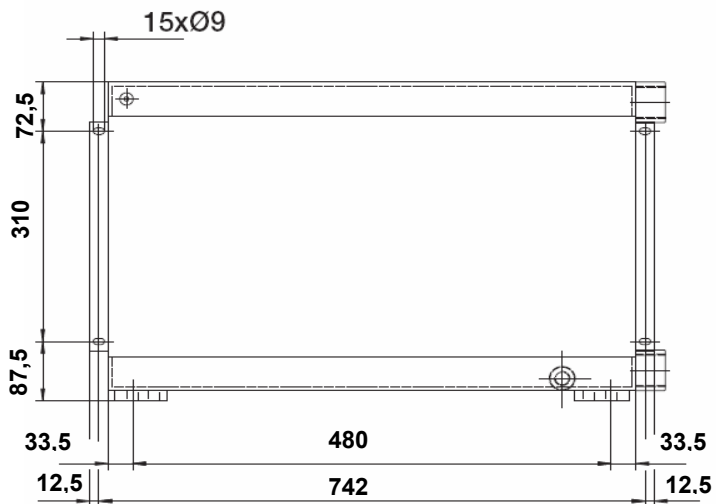
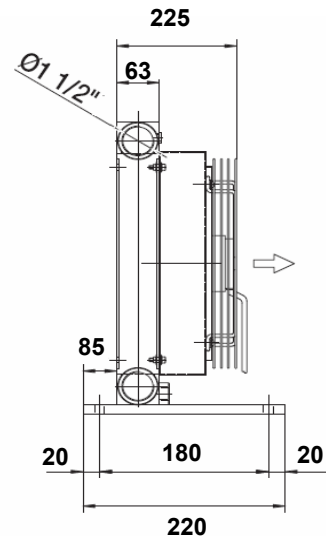
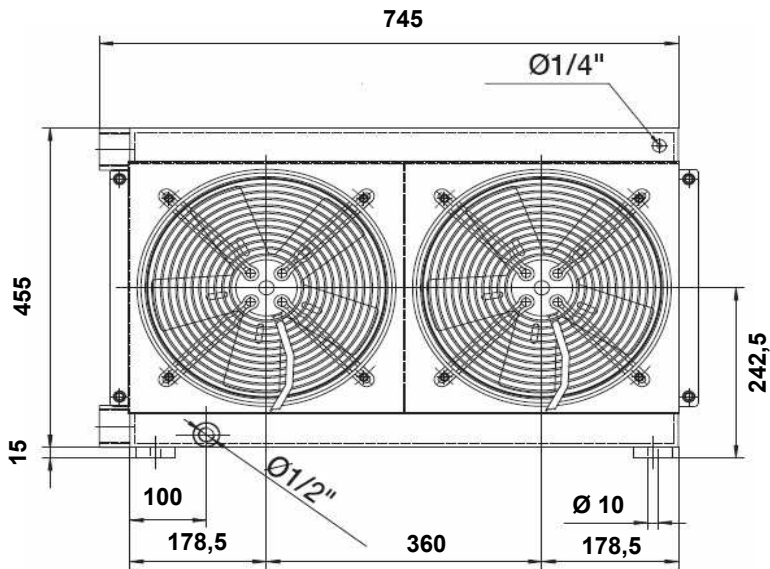


**4030 2M 220 V**

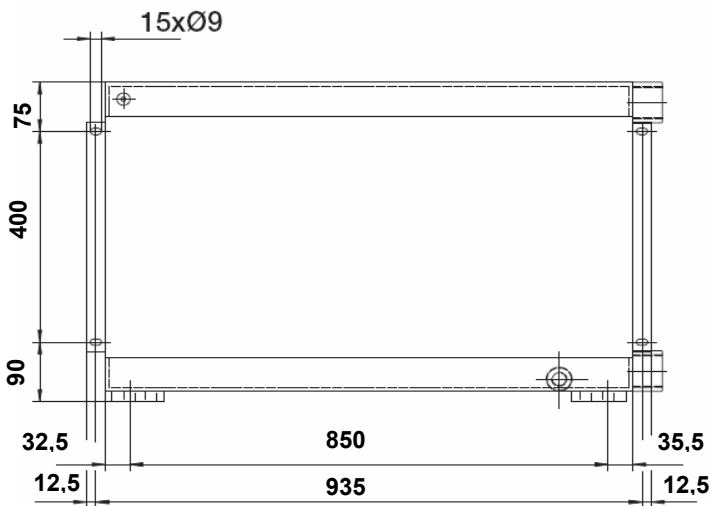
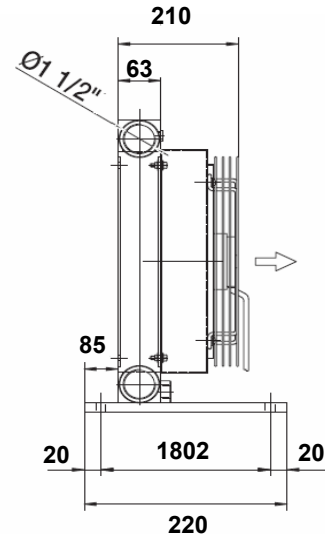
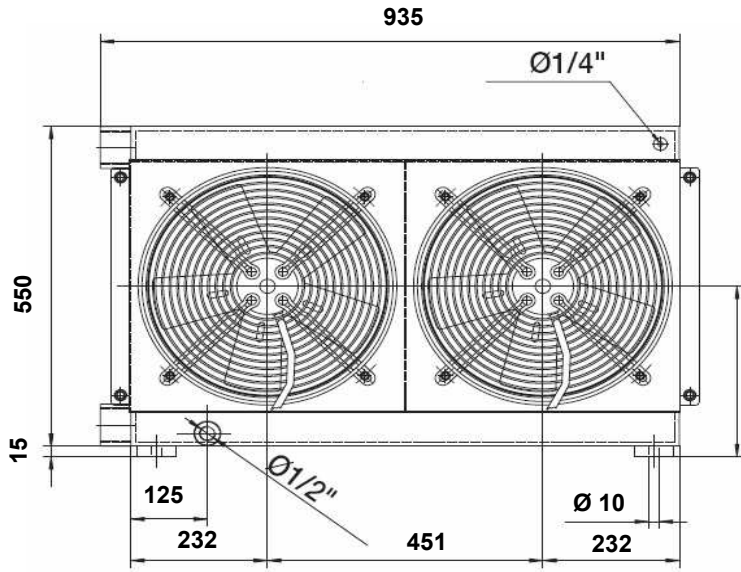




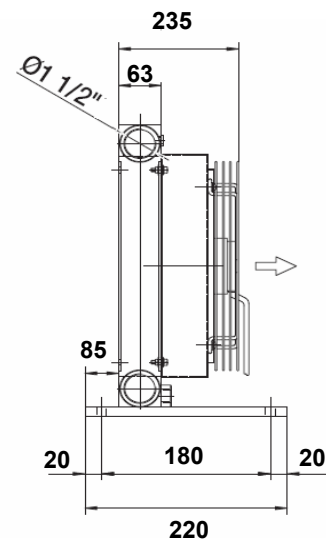
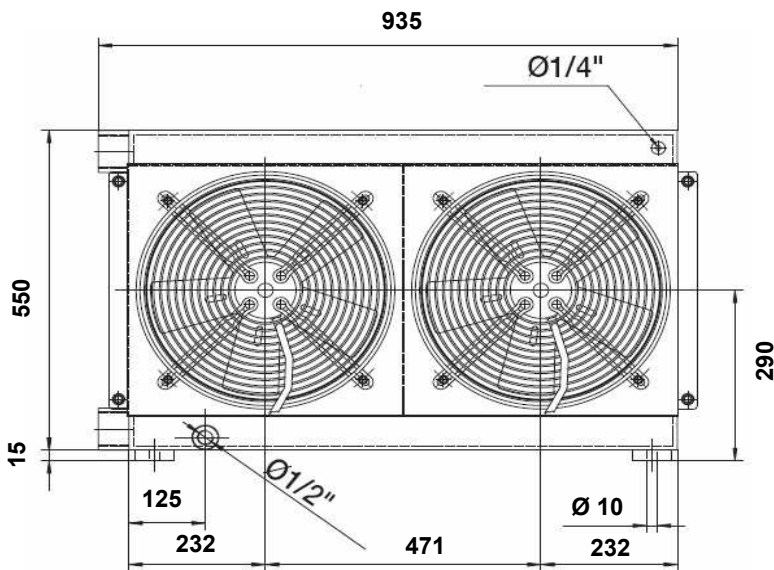
**4030 2M 24 V**

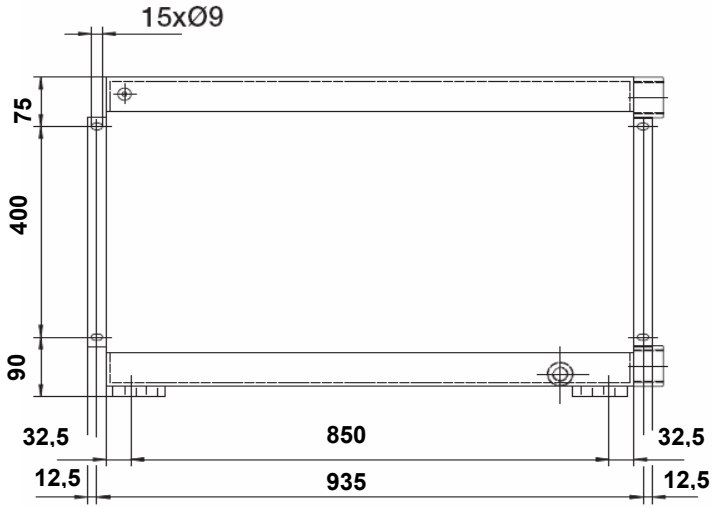


4040 2M 24 V



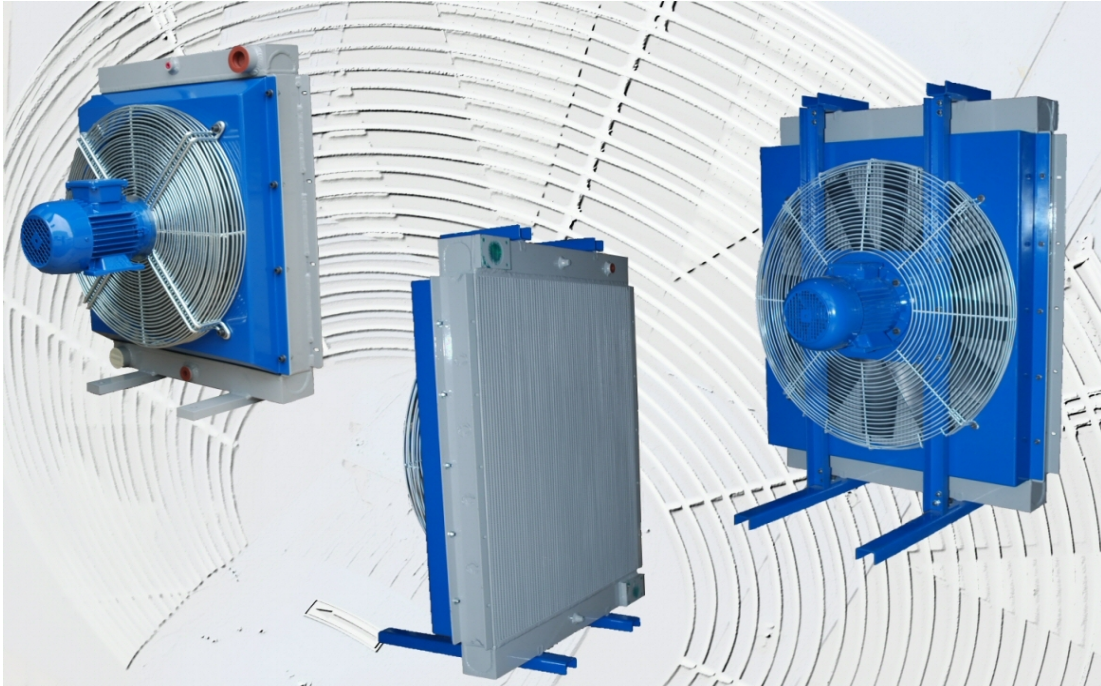
4040 2M 220 V





## M-SERIES

### TECHNICAL DATA

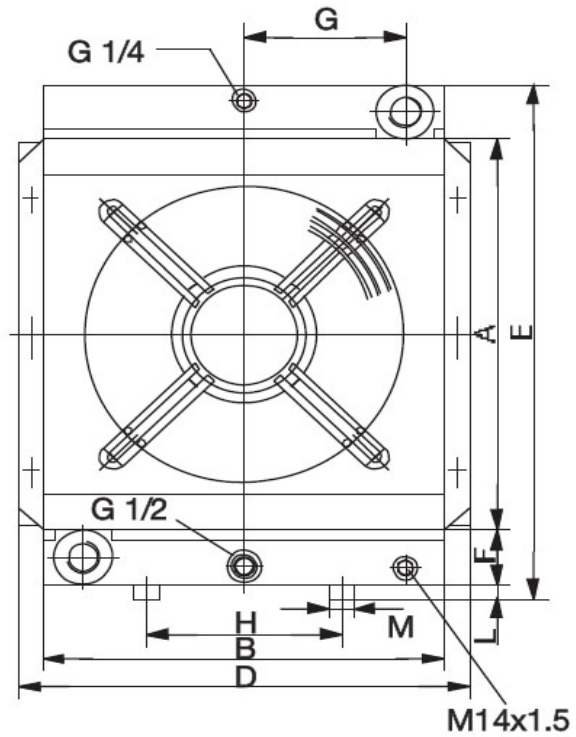
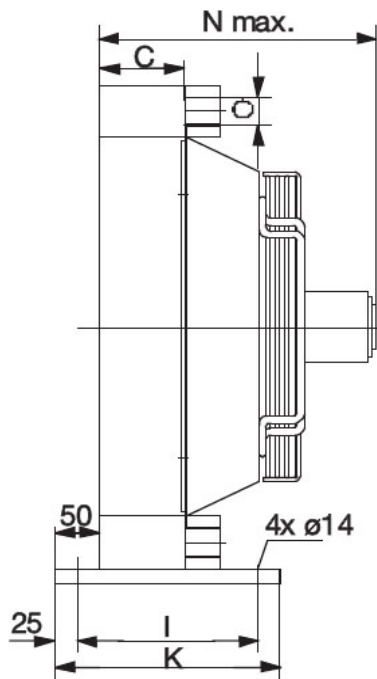


Oil flow lt/min	Heat Difference $\Delta T=30\text{ }^{\circ}\text{C}$ (Oil Heat-Environmental Heat)			Heat Difference $\Delta T=40\text{ }^{\circ}\text{C}$ (Oil Heat-Environmental Heat)		
	M-6 cooling capacity Kcal/h	M-8 cooling capacity Kcal/h	M-10 cooling capacity Kcal/h	M-6 cooling capacity Kcal/h	M-8 cooling capacity Kcal/h	M-10 cooling capacity Kcal/h
50	24080	33540		17200	24080	
75	25800	36120		19780	26660	51600
100	27520	37840	96320	20640	28380	72240
150	29240	41280	110080	21500	30960	82560
200	30100	43000	120400	22360	31820	90300
250		43860	127280		32680	95460
300			134160			100620
400			144480			108360
500			154800			116100

	Oil Connection Size	Max Pressure / bar
M-6	1¼" BSP	26
M-8	1½" BSP	26
M-10	SAE 3"	10

- Tested pressure 36 bar
- Max. working heat 120C
- Italian IMIT TC2 adjustable thermostat is standard

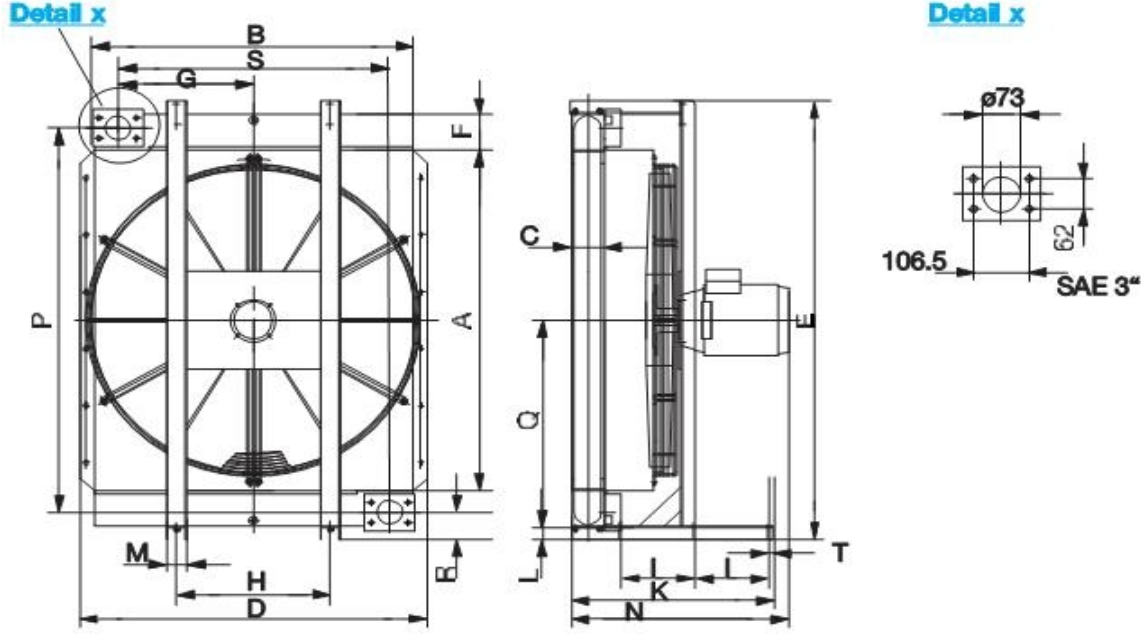
**DIMENSIONS FOR M-6 / M-8**



	M-6	M-8
C	94	140
I	250	250
K	300	300
N	450	590

	M-6	M-8
A	650	800
B	557	651
D	607	722
E	790	960
F	60	70
G	235	280
H	310	400
L	20	20
M	50	50

**DIMENSIONS FOR M-10**



A	1050
B	915
D	995
F	110
G	390
H	440
M	65
P	1182
R	91
S	780

C	115
E	1360
I	215
K	580
L	45
N	700
Q	630
T	15