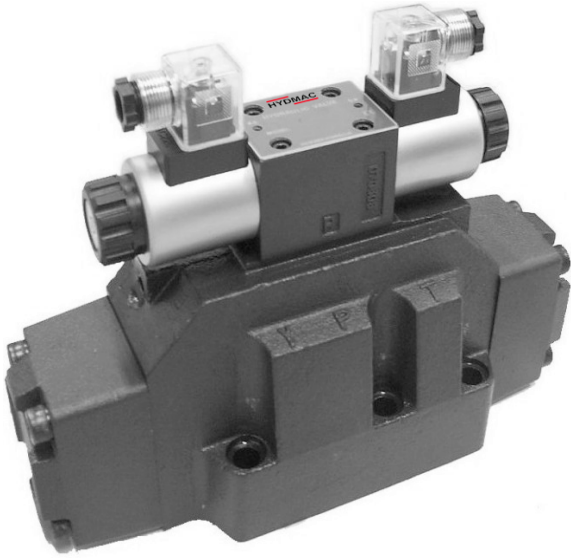


# 4WEH/4WH series solenoid pilot/ hydraulic operated directional control valves

# HYDMAC

4WEH series solenoid pilot operated directional valves are solenoid pilot operated spool type valves. This series are used to control the start, stop and direction of flow. 4WH series hydraulic operated directional valves can be used to change the direction of hydraulic oil by moving the main spool when the valve receives a hydraulic signal from the pilot hydraulic oil.



## Technical specification

| Model                         |                                   | 4WEH10         | 4WEH16        | 4WEH25 | 4WEH32 |
|-------------------------------|-----------------------------------|----------------|---------------|--------|--------|
| Max. flow rate (l/min)        |                                   | 160            | 300           | 500    | 1100   |
| Working pressure (MPa)        | A,B,P port                        | 31.5           |               |        |        |
|                               | T port                            | External drain | 25            |        |        |
|                               |                                   | Internal drain | 16(DC) 10(AC) |        |        |
| Y port                        | External control                  | 16(DC) 10(AC)  |               |        |        |
| Max. operating pressure (MPa) |                                   | 25             |               |        |        |
| Weight (kgs)                  | Pilot valve with single solenoid  | 1.5            |               |        |        |
|                               | Pilot valve with double solenoids | 2.2            |               |        |        |
|                               | 4WEH valve                        | 6.5            | 7.3           | 16.5   | 39.5   |

## Ordering details

| 4WEH   | 25  | E                | 50                             | O  | G24  | N   |
|--|---|------------------|--------------------------------|--|--|---|
| Sort   | Nominal size  | symbols          | Series number                  | Pilot solenoid valve spool return  | Input voltage  | Manual override   |
| 4WEH: Solenoid pilot operated directional valve<br>4WH: Hydraulic operated directional valve | 10:NG10 Cetop5<br>16:NG16 Cetop7<br>25:NG25 Cetop8<br>32:NG32 Cetop10 | See symbols list | 20:NG10<br>50:NG16, NG25, NG32 | No code: Spring return<br>O: Without spring return<br>OF: Without spring return with detent. | G12:DC12<br>G24:DC24<br>W220:AC220<br>W110:AC110<br>W220R:RAC220<br>W110R:RAC110 | No code: Without manual override<br>N: With manual override |

| ET                   | S   | Z4L   | P4.5   | *                    |
|----------------------|---|---|--|----------------------|
| Oil control          | Shifting time adjustment  | Connector type  | Pre-pressure valve   | Remark               |
| See oil control list | No code: Without shifting time adjustment<br>S: Shifting time adjustment as meter-in control<br>S2: Shifting time adjustment as meter-out control | Z4: Standart plug-in connector<br>Z4L: Plug-in connector with light | No code: Without prepressure valve<br>P4.5: With prepressure valve | Further requirements |

|         |                                 |
|---------|---------------------------------|
| No code | External control external drain |
| E       | Internal control external drain |
| T       | External control internal drain |
| ET      | Internal control internal drain |

# 4WEH/4WH series solenoid pilot/ hydraulic operated directional control valves

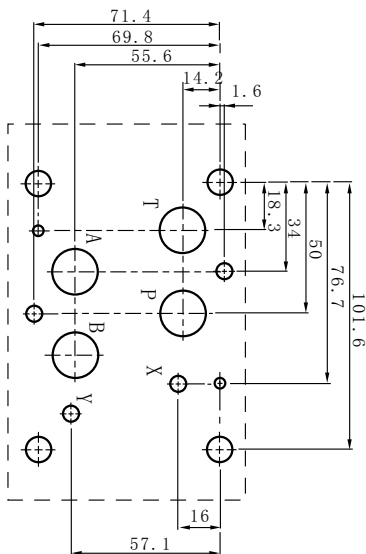
## Symbol list



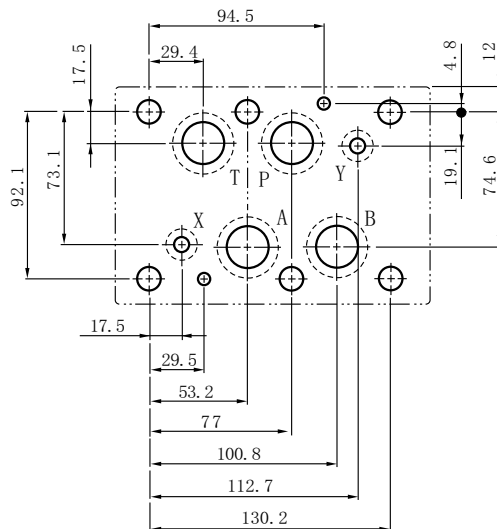
## Mounting dimensions

Unit: mm

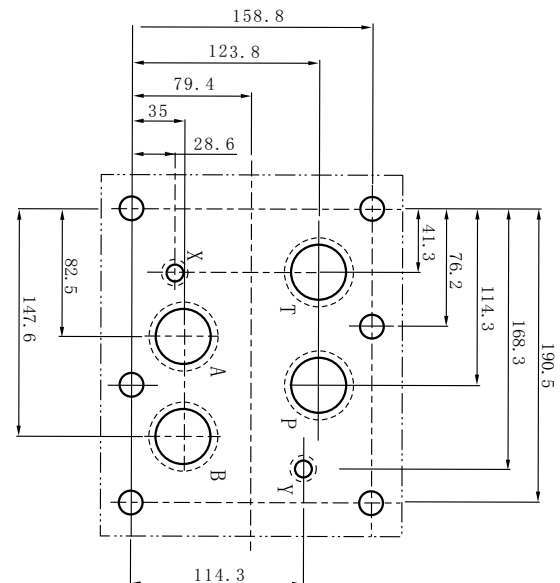
### 4WE16



### 4WE25



### 4WE32



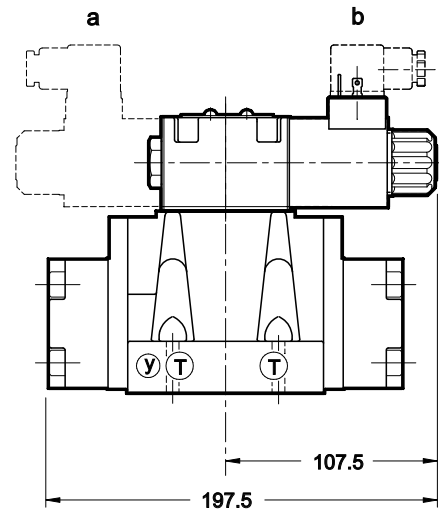
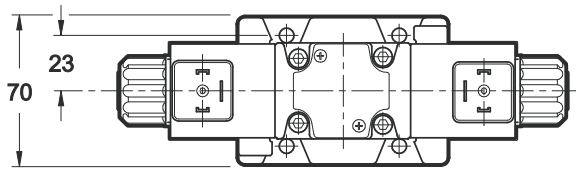
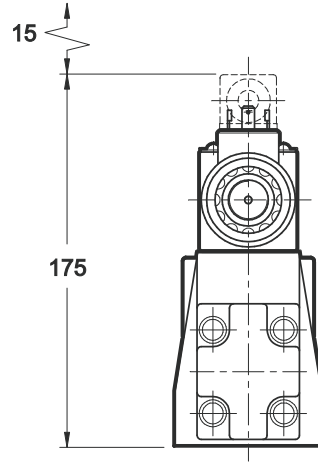
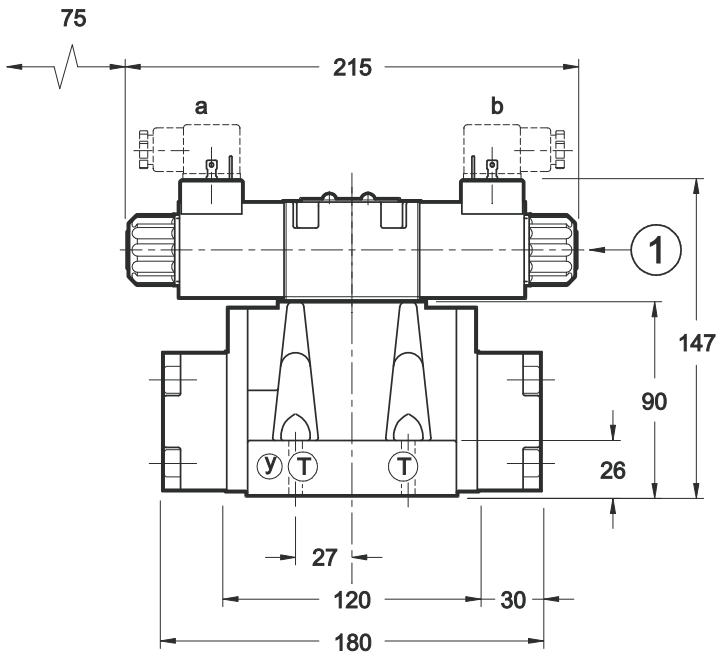
# 4WEH/4WH series solenoid pilot/ hydraulic operated directional control valves

# HYDMAC

## Dimensions

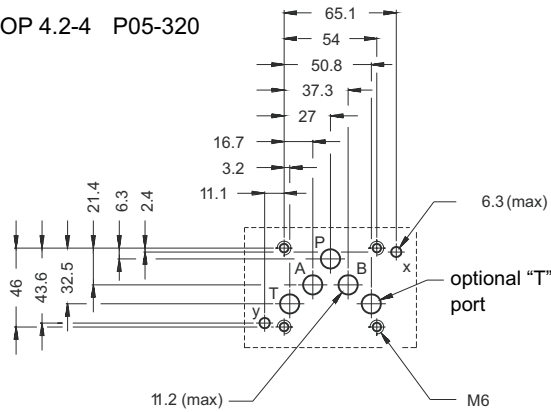
Unit: mm

### 4WEH10



### MOUNTING SURFACE (STANDARD)

CETOP 4.2-4 P05-320



Valves with ISO 4401-05-05-0-05 (CETOP R05) mounting interface are available upon request.

ISO 4401-05-05-0-05  
CETOP 4.2-4 R05-320

